

LUFFING JIB TOWER CRANE PXD4029



Specifications

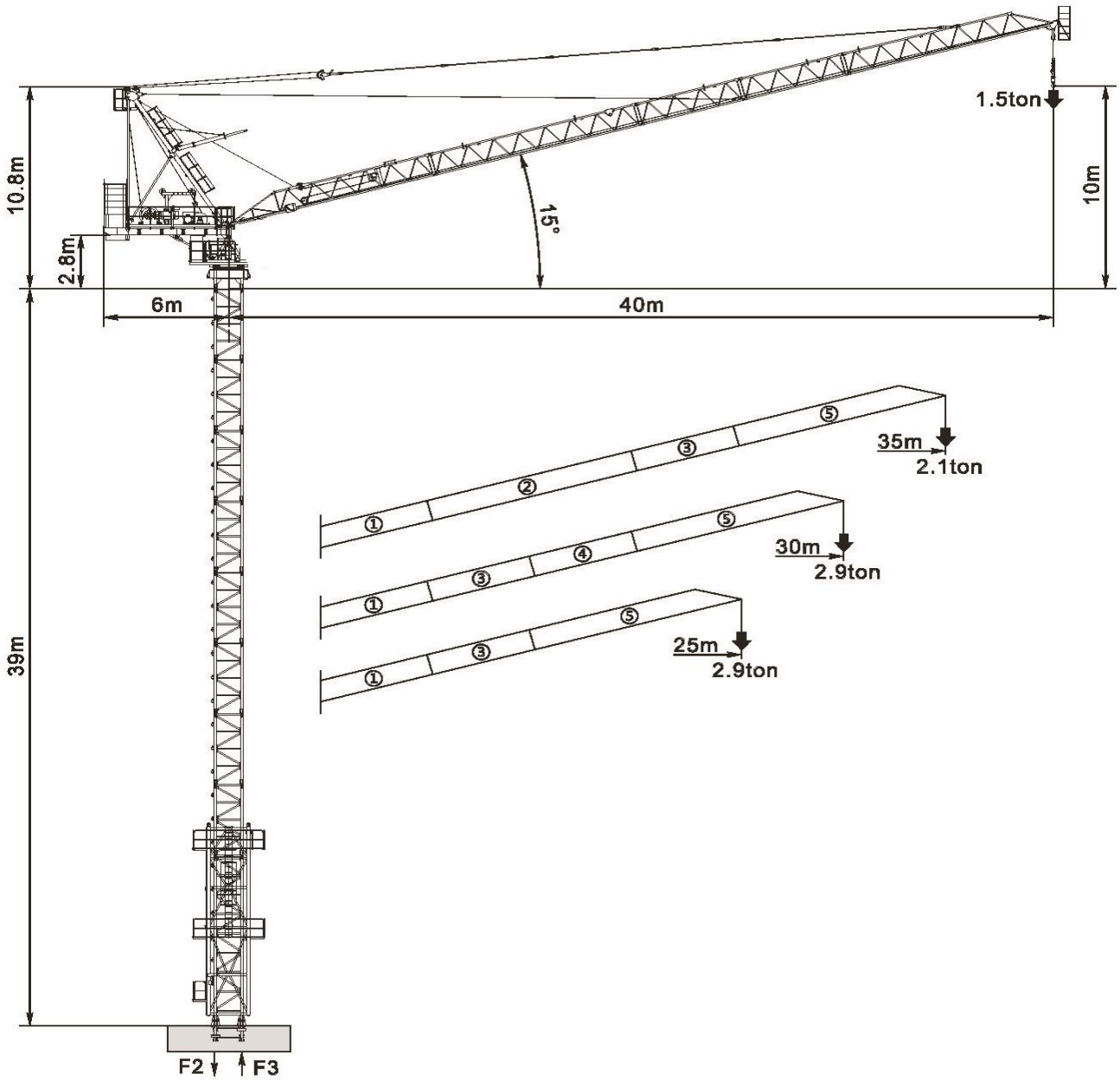
- ◆ Max Jib Length : 40.0m
- ◆ Max Capacity : 2.9 t
(40m End 1.5 t)

Design Anywhere



주 소: 경기도 부천시 원미구 길주로77번길 19-27
연락처: 010-5338-1705 / 031-326-1705
팩 스: 032-326-1746
이메일: master@ws-crane.com

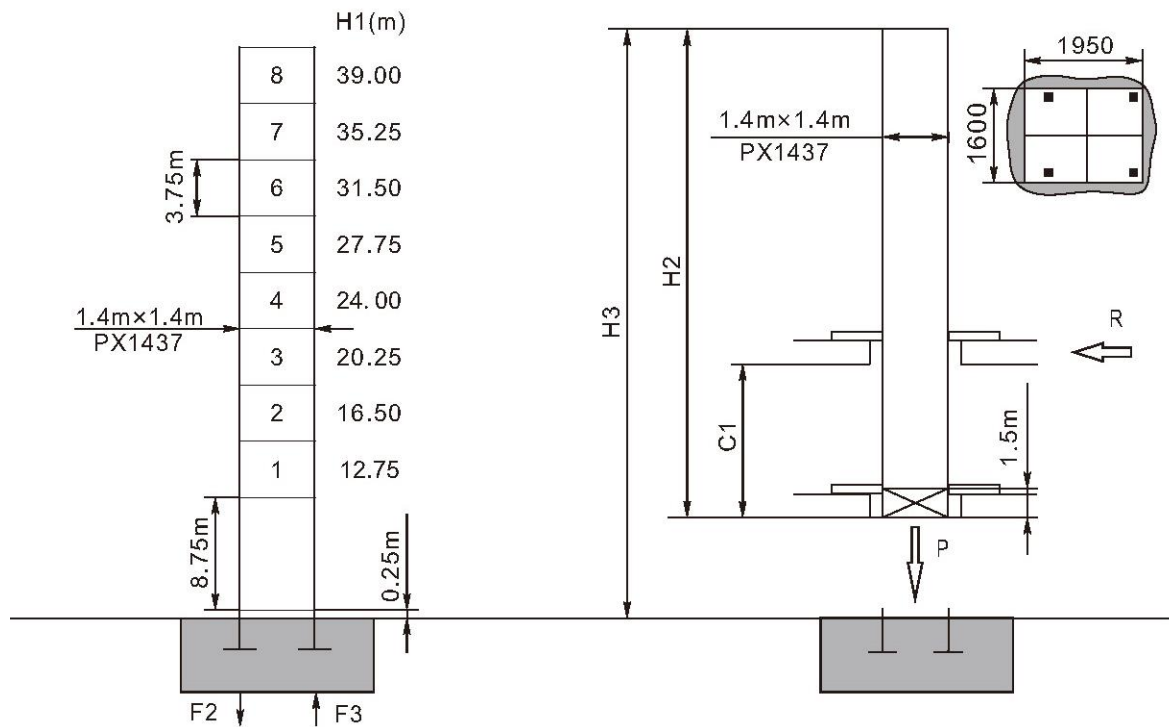
Total Drawing



Load Capacity (하중표)

Jib Length	Hook	Max	10	15	20	25	30	35	40	m
40m	2 fall	2.90	2.90	2.90	2.90	2.90	2.78	2.05	1.50	t
35m	2 fall	2.90	2.90	2.90	2.90	2.90	2.81	2.10	t	
30m	2 fall	2.90	2.90	2.90	2.90	2.90	2.90	t		
25m	2 fall	2.90	2.90	2.90	2.90	2.90	t			

Masts Reactions



F2	●91t	■217t
F3	●64t	■192t
	36.1t	

Jib length	H1(m)
25m	42.75
30m	42.75
35m	39.0
40m	39.0

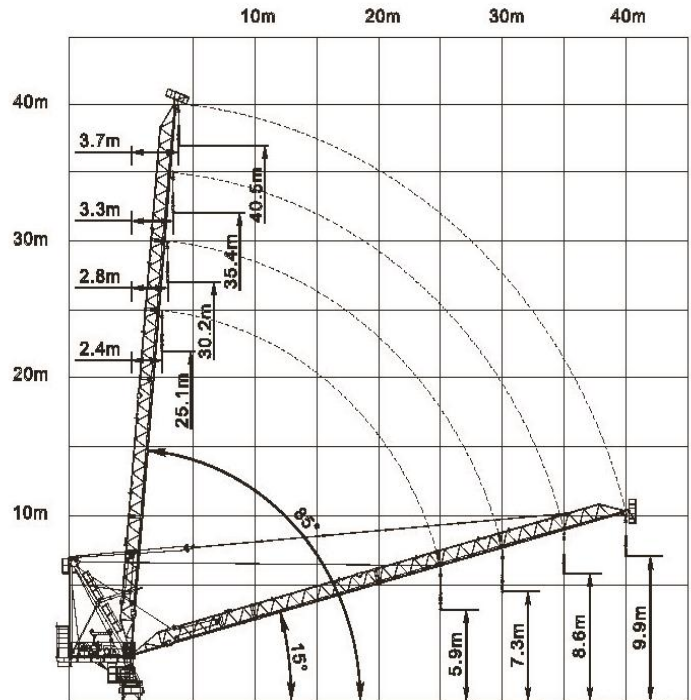
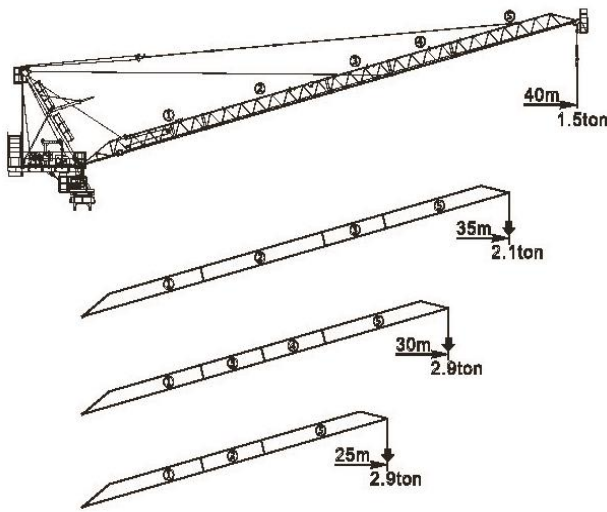
R	19t
P	45.8t

	Jib Length			
	25m	30m	35m	40m
C1	9-15	9-13	9-13	9-11
H2	31.5	27.8	27.8	24.0
H3	104			

Mechanism

Mechanisms Specification			(Hook)		Kw	
Hoisting		30QP15HS-C	m/min	0-40	400m	22
			t	2.9		
Luffing		33DVF25C-G1	min	≤3.0	200m	24
Slewing		RCV65	r/min	0-0.8		4
Power Supply				380V / 60Hz		
Necessary Power				60KVA		

Jib Combination / Radius & Hoisting Height



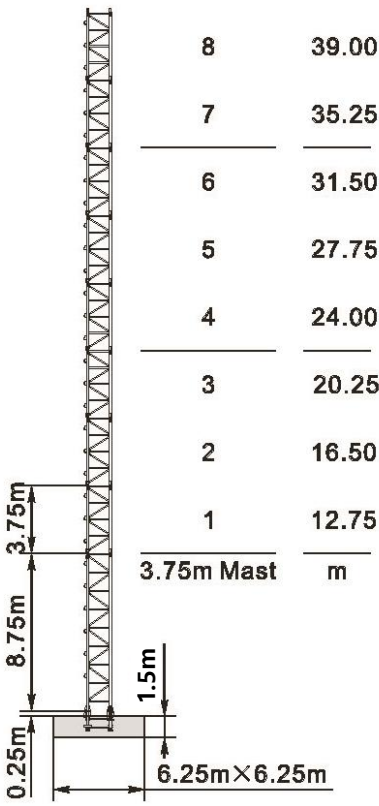
Jib Length	Out of Service			Angle Max			R Max
	Angle	D(m)	H0(m)	Angle	D(m)	H0(m)	H0(m)
25m	45°	18.4	14.1	85°	2.4	21.7	2.5
30m	50°	20	19.6	85°	2.8	26.8	3.9
35m	50°	23.3	23.6	85°	3.3	32	5.2
40m	54°	24.4	29.3	85°	3.7	37.1	6.5

Boom Combination / Jib & Ballast

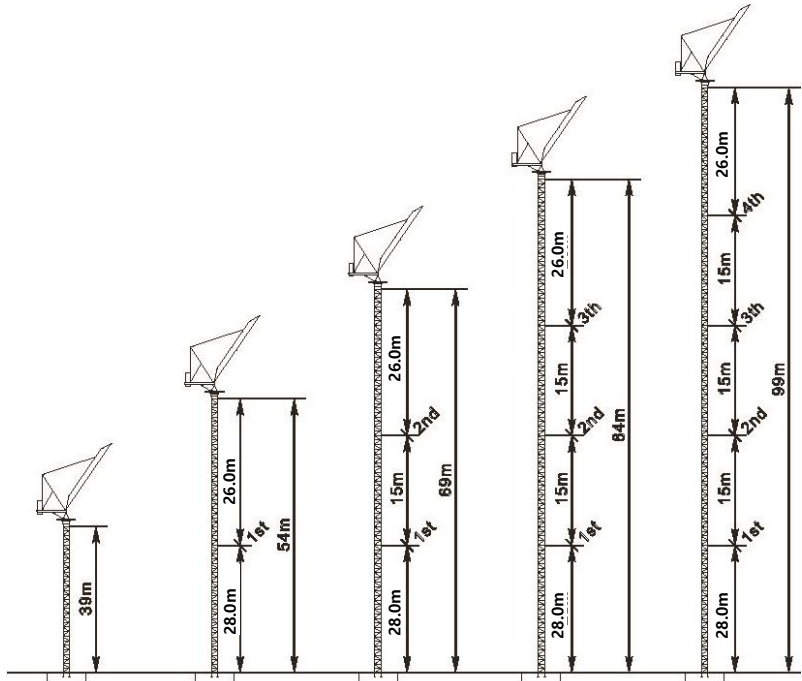
Jib Length	Free Standing(m)	Combination	No of Mast
40m	39.0	① ② ③ ④ ⑤	1B+8EA
35m	39.0	① ② ③ ⑤	1B+8EA
30m	42.75	① ② ④ ⑤	1B+9EA
25m	42.75	① ③ ⑤	1B+10EA

Jib Length	Type of Ballast			G/Weight(t)
	A(5.0t)	B(2.0t)	C(1.0t)	
40m	1	3	3	14
35m	1	3	2	13
30m	1	3	1	12
25m	1	1	1	8

Mast Height & Tie Schedule

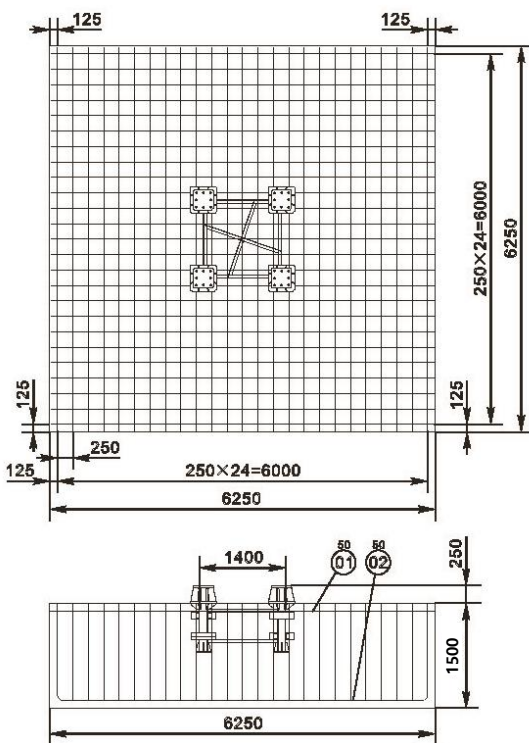


Mast height



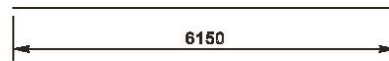
Wall bracing schedule

Foundation

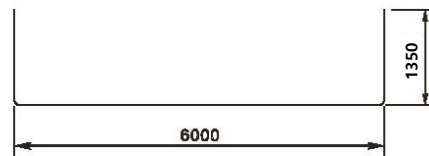


UNIT : mm

50
01 TOP ARRANGEMENT / RE-BAR HD25



50
02 BOTTOM ARRANGEMENT / RE-BAR HD25



NOTE

- Jib 40m , mast height 39m foundation steel diagram.
- Use length is longer than the length of the above.

CONCRETE VOLUME	66.41 m ³
GRAVITY OF CONCRETE	2400 kg/m ³
STRENGTH OF CONCRETE GRADE	240 kg/m ²
BEARING POWER OF THE SOIL (Pmax)	22 tonf/m ²

Component Detail Table

No.	Description	Sketch	L(m)	W(m)	H(m)	Weight per piece(kg)	Q'ty	
1	짚섹션 1		10.49	1.05	1.29	873	1	
2	짚섹션 2		10.47	1.05	1.21	638	1	
3	짚섹션 3		5.31	1.05	1.21	355	1	
4	짚섹션 4		5.31	1.05	1.21	342	1	
5	짚섹션 5		10.64	1.09	1.44	816	1	
6	상부턴테이블		1.87	1.82	1.70	1425	1	
7	하부턴테이블		2.07	2.13	1.02	1889	1	
8	카운터 짚		6.17	1.22	0.92	2081	1	
9	호이스트 원치		1.31	1.52	0.78	860	1	
10	러핑 원치		1.97	1.14	1.03	1020	1	
11	카운터짚지지대		2.26	1.12	0.20	276	1	
12	A프레임(앞)		8.82	0.69	1.14	1000	1	
13	A프레임(뒤)		6.99	0.37	1.11	336	1	
14	웨이트		A	2.50	0.94	1.42	5000	1
			B	2.50	1.00	0.35	2000	3
			C	2.50	1.00	0.17	1000	3
15	후크		0.89	0.22	1.64	297	1	
16	스토퍼		3.66	0.36	1.27	658	1	
17	펜던트 와이어		5.23	0.05	0.11	56	3	
			6.03	0.05	0.11	64	2	
18	베이직마스트		1.40	1.40	8.75	3567	1	
19	마스트		1.40	1.40	3.75	1330	8	
20	상승게이지		2.05	2.08	10.20	3426	1	
21	양카		1.44	1.44	1.09	767	1	
22	케이블	3×35+1	-	-	-	300	1	

※ 상기 구성은 변경 가능함.