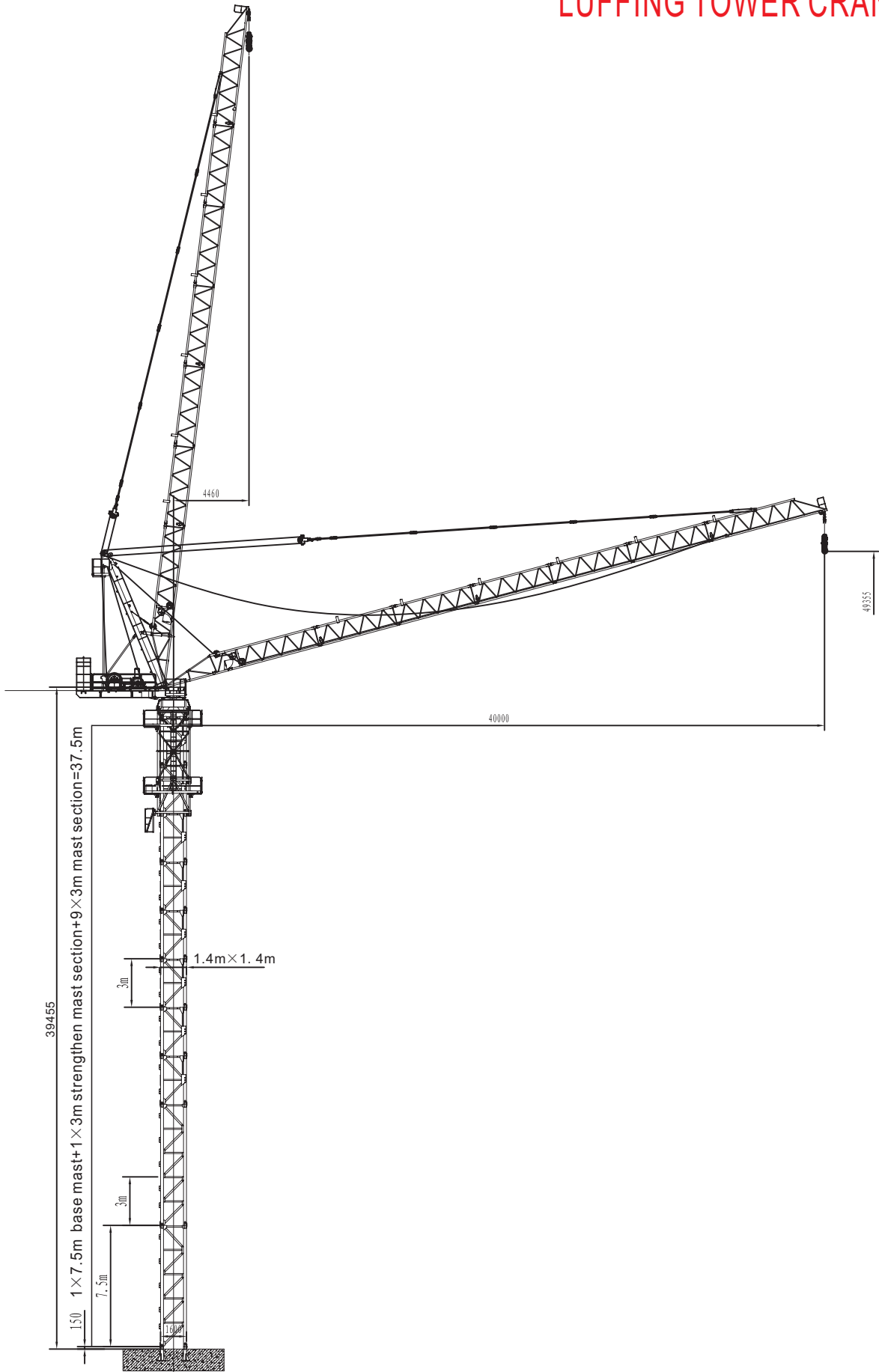
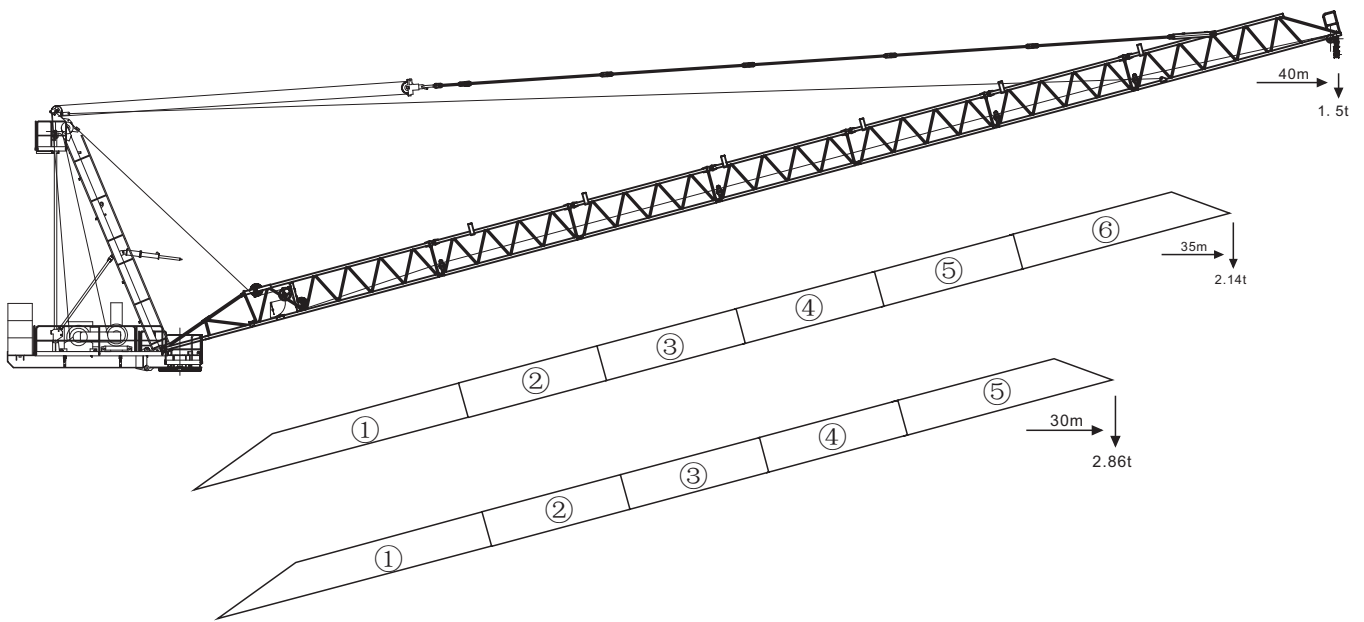
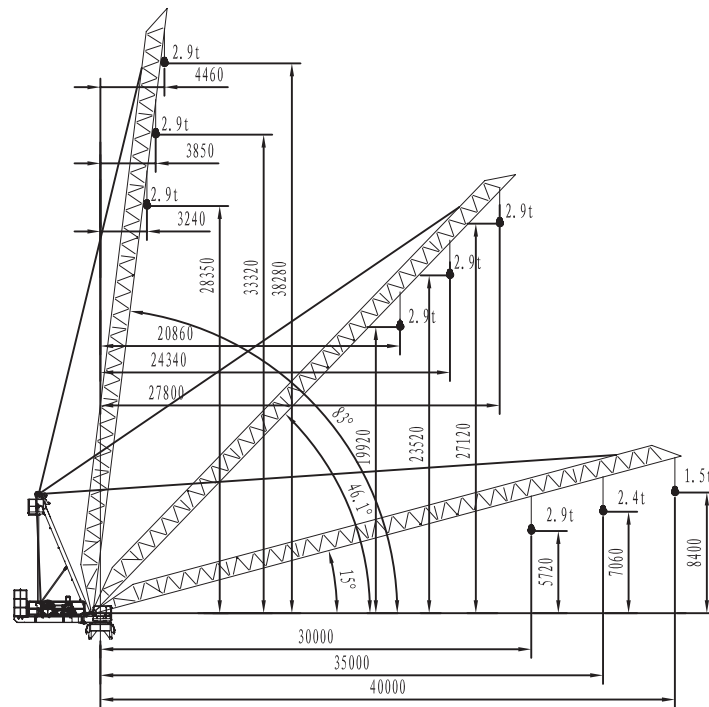


# CCTL120

## LUFFING TOWER CRANE



## JIB COMBINATION/RADIUS&HOISTING HEIGHT

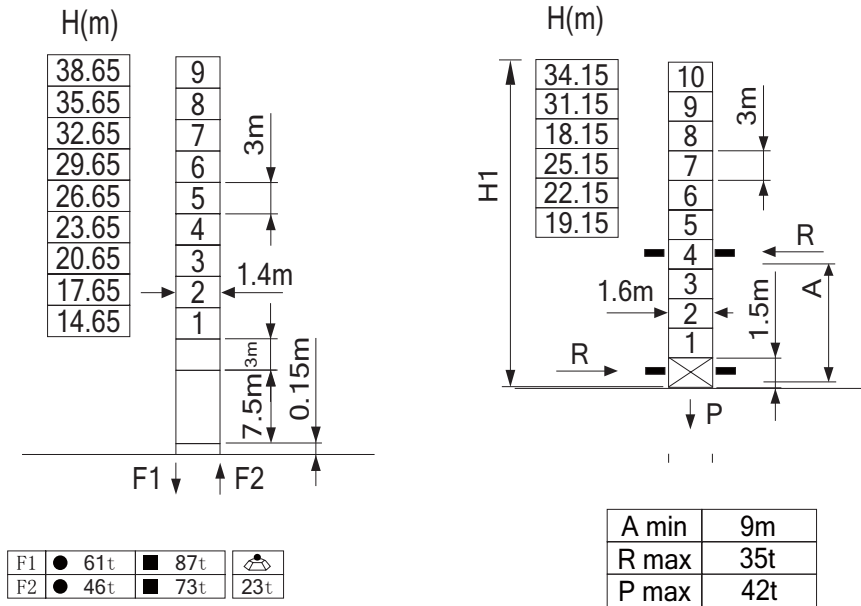


## LOAD CAPACITY

				20m	22m	25m	27m	30m	32m	35m	37m	40m
<b>40m</b>	2 falls	2.9t-4.5m~27.8m	t	2.9	2.9	2.9	2.9	2.56	2.3	1.96	1.76	1.5
				20m	22m	25m	27m	30m	32m	35m		
<b>35m</b>	2 falls	2.9t-3.8m~28.9m	t	2.9	2.9	2.9	2.9	2.74	2.48	2.14		
				20m	22m	25m	27m	30m				
<b>30m</b>	2 falls	2.9t-3.2m~29.7m	t	2.9	2.9	2.9	2.9	2.86				

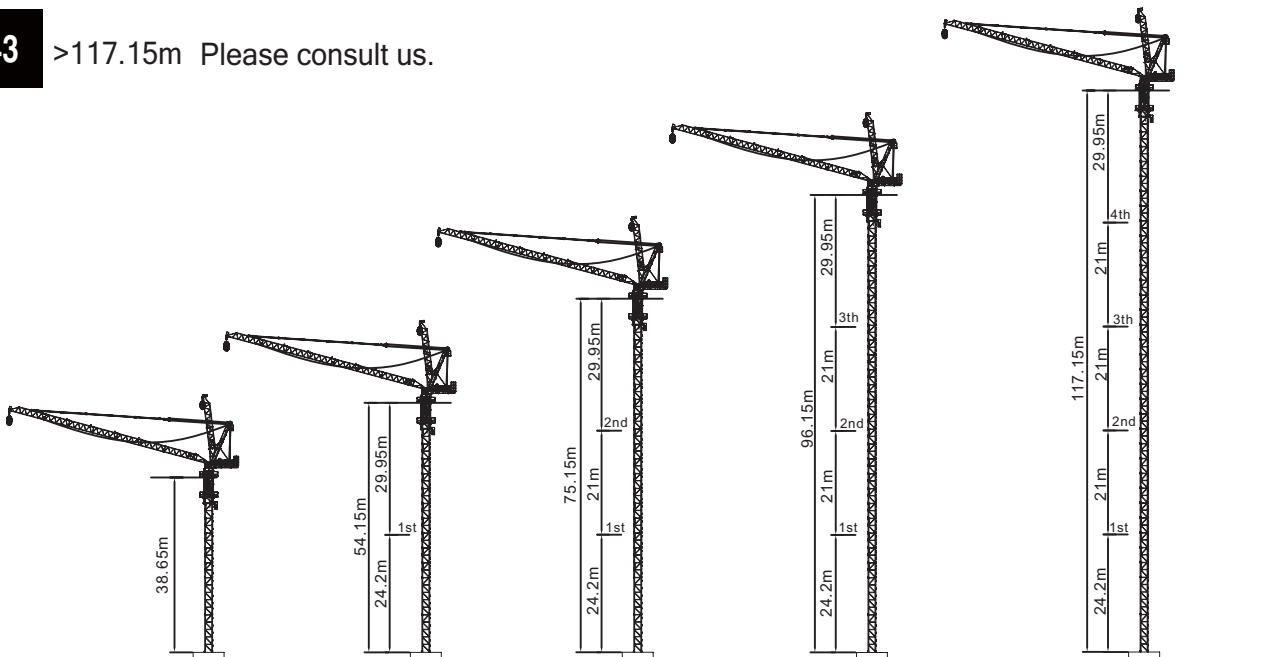
## MAST HEIGHT

L43



## TIE SCHEDULE

L43 >117.15m Please consult us.



## MECHANISM

	Hoisting mechanism						
	35LVF15L		m/min	0~34	0~47	0~62	
		t	3	2.2	1.2	300m >300m※	
	Luffing mechanism				Slewing mechanism		
	24LFV15B	1min 40S	24kW		RVF4	0~0.8r/min	4KW
Power supply	380V(±5%) 50Hz			Power consumption	69kVA		

FOUNDATION

